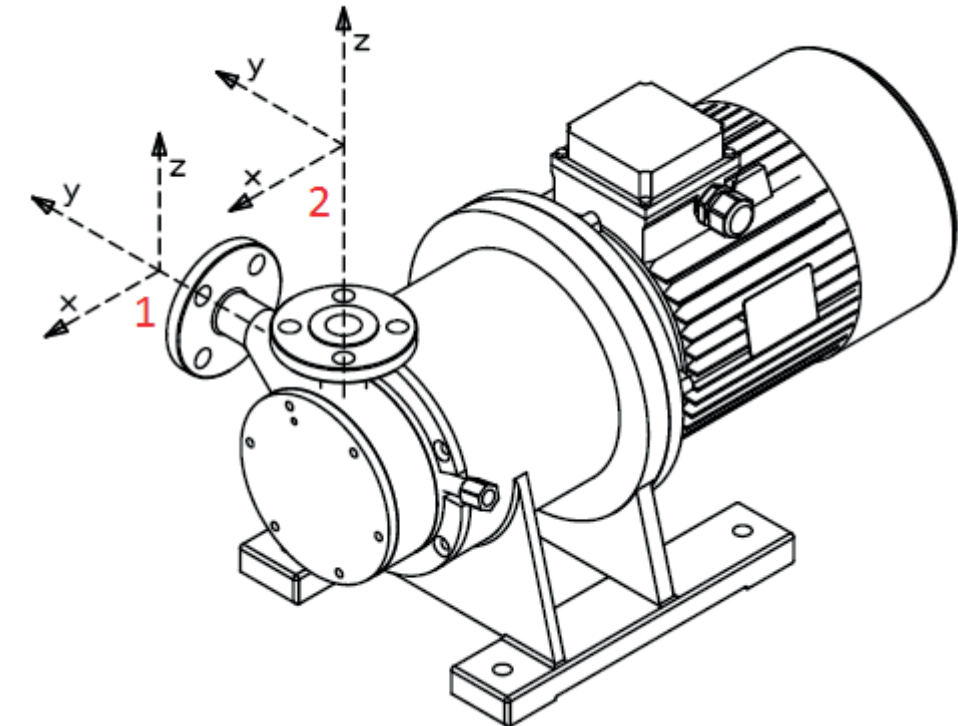


PERMISSIBLE PIPEWORK LOADS: FORCES AND MOMENTS

PUMP TYPE	FLANGE	F <sub>x</sub> ; Kg	F <sub>y</sub> ; Kg	F <sub>z</sub> ; Kg	M <sub>x</sub> ; Kg*m	M <sub>y</sub> ; kg*m	M <sub>z</sub> ; Kg*m
MTA 25	1	2	3	2	1	1,5	1
	2	4	4	3	1,5	1,5	2
MTA 37	1	3	4	3	1,5	2	1,5
	2	6	6	4	2	2	3
MTA 49	1	4	5	4	2	3	2
	2	9	9	7	3	3	4
MTA 55	1	4	5	4	2	3	2
	2	9	9	7	3	3	4
MTA 78	1	4	5	4	2	3	2
	2	9	9	7	3	3	4
MTA 1011	1	4	5	4	2	3	2
	2	9	9	7	3	3	4
MTA 2020	1	7	9	7	3	5	3
	2	17	17	14	5	5	6



**MARCH PUMPEN GmbH & Co.KG**  
 Rathenastraße 2  
 D-35394 Gießen  
 www.march-pumpen.com  
 info@march-pumpen.com

Baureihe / Series:	MTA
Typ / Type:	-
Motor:	-